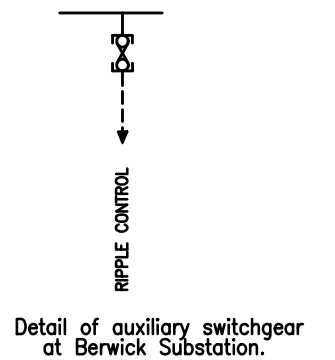


Note :- DDO on all subs
 (FI) :- Earth Fault Indicator

| LINE FUSE RATING | |
|------------------|--------|
| 1084 | 50 amp |

| |
|---------|
| SW 3010 |
| SW 3015 |
| SW 3030 |
| SW 3031 |
| SW 3034 |
| SW 174 |
| L.B. |



Continued on Page B2D

Continued on Page B2B

Continued on Page B2B

Continued on Page B2C

This Feeder CB Has Autoreclose Fitted

| | | | | | | | | | | | | | | |
|----------|-------|-------|-------|-------|--|-------|-------|-------|-------|----------|-------|---------|-------|-------|
| REVISION | X | Y | Z | AA | | R | S | T | U | V | W | DRAWN | J G P | 05/81 |
| COMP. NO | - | - | - | - | | 2466 | - | - | - | CFR 5012 | - | TRACED | C A S | 01/07 |
| DATE | 03/21 | 07/21 | 01/22 | 02/22 | | 02/02 | 04/08 | 07/08 | 11/09 | 12/09 | 03/16 | CHECKED | | |
| CHECKED | NH | NH | TD | TD | | KTB | SJM | RWO | RWO | SJM | JDP | DES.ENG | | |



BERWICK No2 6.6kV FEEDER

DATE ISSUED
04/02/22

PAGE
**BK
2A**